

MR F57W



Cobra MARINE®

CLASS-D FIXED MOUNT VHF RADIO

The latest in Class-D Digital Selective Calling (DSC) Technology.

Submersible

Designed to IPX8 (JIS8) standards.

Rewind-Say-Again®

Replay missed VHF calls.
Automatically records the last 20 seconds with a digital voice recorder.

PA Output

PA function for public address to external speaker.

All NOAA weather channels

Instant access to national All Hazards and weather information, 24 hours a day.

Softkey Operation

Easily make calls, activate advance features and navigate through menus.

Automatic Radio Check

Checks battery voltage when transmitting, RF power output, and antenna output.

Flush mount kit included

Everything you need for quick and easy install.



www.cobra.com



MR F57W

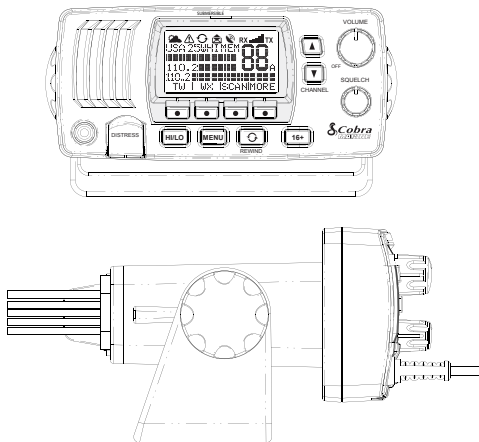
Features

Benefits

DSC (Digital Selective Calling)	Compliant with the latest FCC specifications for Class-D VHF Radios. Digital Selective Calling allows you to send a distress signal at the touch of a button or exchange position information with other boats or stations. DSC features on this Class-D radio include: A Dedicated Channel 70 (DSC Channel) Receiver, GPS Position Display Capability, Illuminated Distress Button, Easy MMSI Entry, Position Send and Request, Position Input Reminder, Coast Guard DSC Check Capability, etc.
1 or 25 Watts	Dual output power for short and long communication.
U.S.A., Canada & International Channels	Allows operation on any of the three (3) different channel maps established for these areas.
Rewind-Say-Again®	Replay missed calls. Automatically records the last 20 seconds of incoming radio transmissions. Handy when in noisy conditions.
10 NOAA Weather Channels	Instant access to national all hazards and weather information, 24 hours a day.
Weather Alert	Alerts with an audible tone and visual alarm if threatening weather is nearby.
Automatic Radio Check	Checks battery voltage when transmitting, RF power output, and antenna output.
Instant Channel 16/9	Instant access to channel 16 and channel 9 for emergency situations.
GPS Capability	Plug-and-Play using the new C.P.S. (Cobra Positioning Systems) external GPS. No other connections required. You can send your position information in case of emergency, or exchange position information with other boats.
TriWatch	Monitors three (3) channels at once - Channel 16, Channel 9, and one (1) user selected channel.
Scan / Memory Scan	Scan all channels to find conversations in progress, or scan channels placed into memory.
Channel Names	Friendly VHF channel names under the channel number.
Signal Strength Meter	Shows the strength of incoming signal.
Illuminated Keys	Allows high visibility of keys.
Illuminated LCD Display: Large	Allows high visibility of display.
Noise Canceling Microphone	Blocks background noise.
External Speaker and PA Speaker	Connect an external speaker and a PA (Public Address) speaker.
NMEA In and Out	NMEA in for GPS input. NMEA output to display other vessels and their information transmitted by DSC on your chartplotter.
Submersible	Meets JIS8 standards; Submersible for 30 minutes in one meter deep water.
External Alarm Input	Senses the alarm from your chartplotter and uses the speaker on the radio to amplify the alarm for waypoint arrival, MOB, etc.
3 Year Warranty (on radio)	For products sold in the U.S.A.

Included Accessories

Flush & Surface Mount Kit	Easy installation of radio in or on almost any flat surface.
GPS Interface Cable	Allows connection of a GPS receiver or NMEA 0183 devices.



Unit Specifications General

Number of Channels	All: U.S.A., Canadian, International 10 NOAA Weather Channels
Channel Spacing	25 kHz
Modulation	5 kHz Max.
Input Voltage	13.8 VDC
Current Drain:	
Stand-by	200 mA
Receive	300 mA
Transmit	5 A @ High Power 1 A @ Low Power
Temperature Range	-20°C to 60°C
Unit Dimensions	6.25" x 2.25" x 7.125" (159 mm x 57 mm x 180 mm)
Unit Weight (Lbs)	2 lbs., 6.8 oz. (1100 g)

Receiver

Frequency Range	156.050 to 163.275 MHz
Receiver Type	Double Conversion Super-Heterodyne
Sensitivity:	
20 dB Quieting	0.35 µV
12 dB Sinad	0.30 µV
AF Output	4 Watts @ 8 Ohms

Transmitter

Frequency Range	156.025 to 157.425 MHz
RF Output Power	1 or 25 Watts
Spurious Emissions	-75 dB @ High Power -72 dB @ Low Power
Microphone Type	Electret
Microphone Impedance	2000 Ohms
Frequency Stability	+/-10 ppm
FM Hum & Noise	50 dB

Packaging Specifications

Individual Clam/Box Dimensions	3.25"H x 12.60"W x 9.70" D
Individual Clam/Box Weight	3.7 lbs.
Master Pack Qty.	2
Master Pack Dimensions	9.80"H x 13.80"W x 8.10"D
Master Pack Weight	9.40 lbs.
SKU # (White)	MR F57W
UPC #	0 28377 20181 3
Master Pack Barcode	5 0028377 20181 8
SKU # (Black)	MR F57B
UPC #	0 28377 20186 8
Master Pack Barcode	5 0028377 20186 3

Specifications subject to change without notice.

Cobra®, CobraMarine®, Nothing Comes Close to a Cobra®, and the snake design are registered trademarks of Cobra Electronics Corporation, USA. Cobra Electronics Corporation™ is a trademark of Cobra Electronics Corporation, USA.

©2014 Cobra Electronics Corporation, 6500 West Cortland Street, Chicago, IL 60707, USA

